

KLEUR: RAL 9005 (ZWART)

TITLE: SLEEVE SOFTBOX TIP R (M2)

PROJECT: Sleeve softbox tip R (M2)

CLIENT:

APPROVED:

DRAWN BY: R.Wilmlink

DATE: 28-04-2012

SCALE: 1:2

UNITS OF MEASURE: mm

FORMAT: A2

COMMENTS:

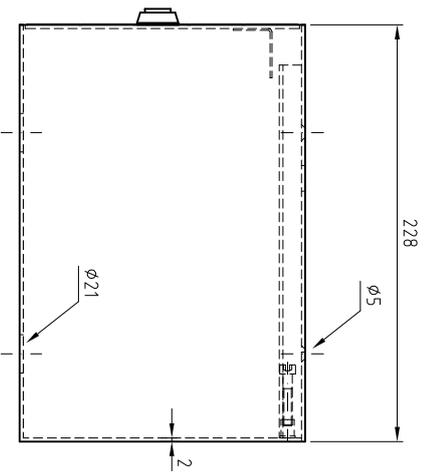
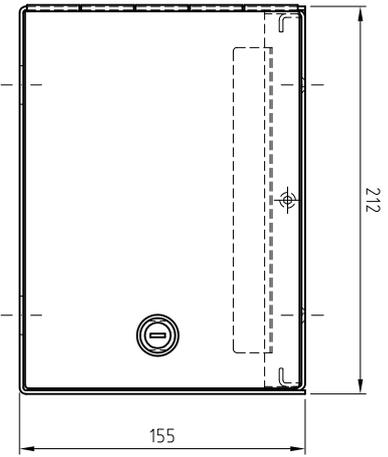
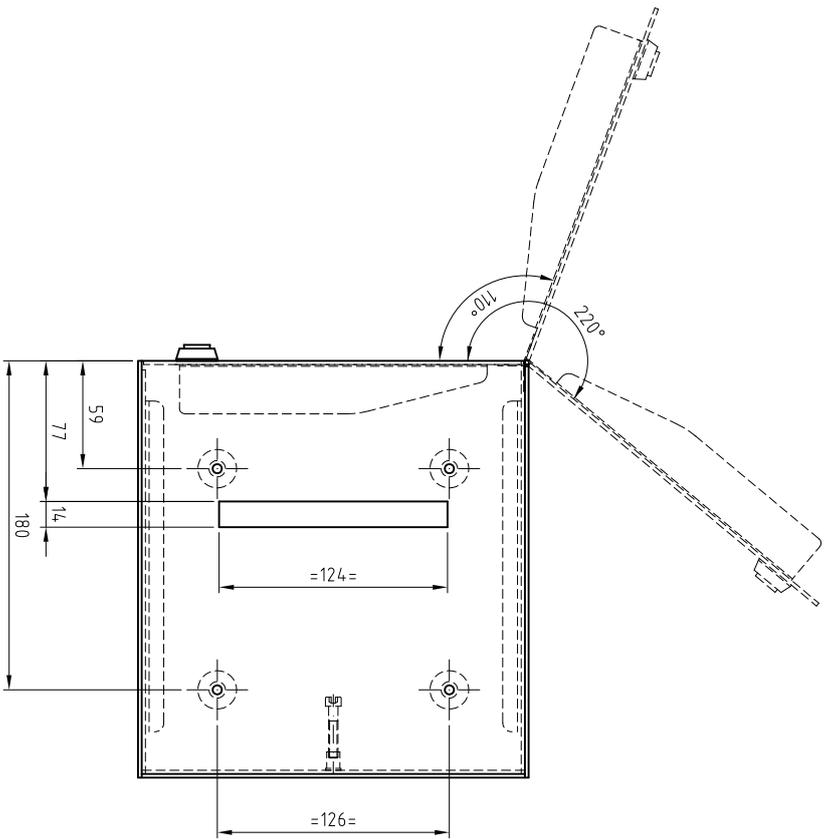
DRAWING NO:

10040301

REV.:

CASINO LOCKING SYSTEMS
 This document is confidential. The copyright rests with Casino Locking Systems. Without written authority the content of this document may not, entirely or partially, be duplicated or communicated to a third party. All rights reserved.





KLEUR: RAL 9005 (ZWART)

TITLE: SLEEVE SOFTBOX TIP L (M2)

PROJECT: Sleeve softbox tip L (M2)

CLIENT:

APPROVED:

DRAWN BY: R.Wilmlink

DATE: 28-04-2012

SCALE: 1:2

UNITS OF MEASURE: mm

FORMAT: A2

COMMENTS:

DRAWING NO:

10040301A

CASINO LOCKING SYSTEMS



This document is confidential. The copyright rests with Casino Locking Systems. Without written authority the content of this document may not, entirely or partially, be duplicated or communicated to a third party. All rights reserved.