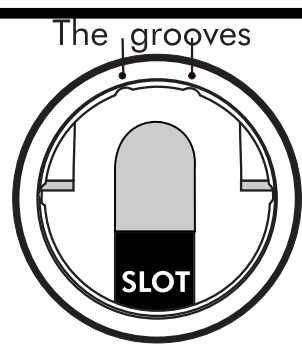
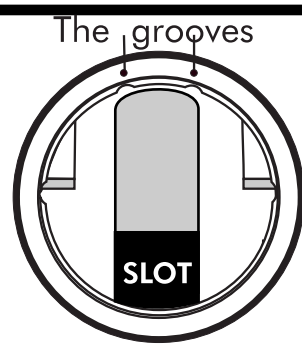


Installation of Bi-Lock's *Exclusive* QCC Plug

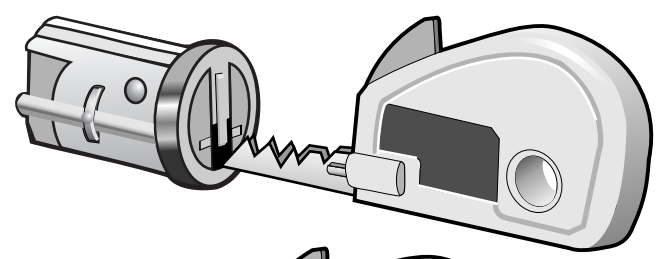
inside view



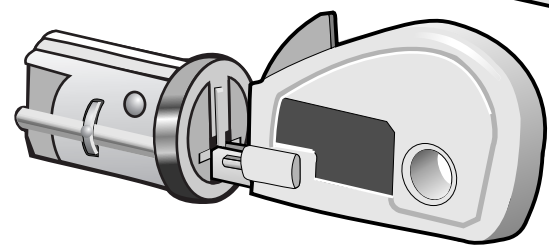
BiLock Exclusive
2019 >



BiLock Exclusive
2016-2019

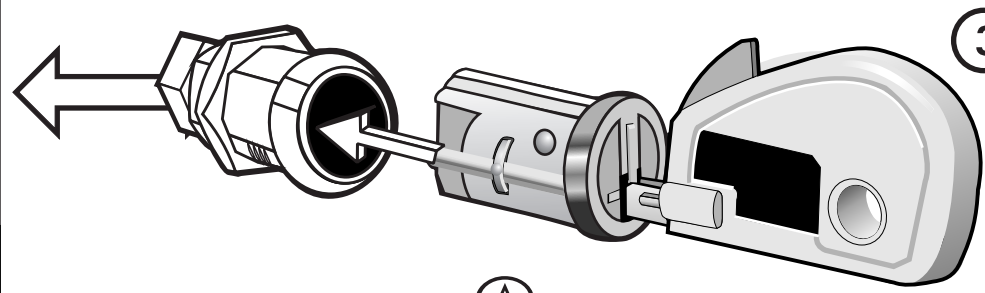


1

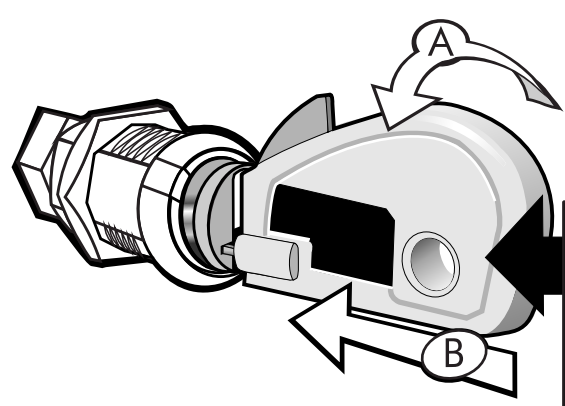


2

Always keep the plug, the adapter and the body in the right position!



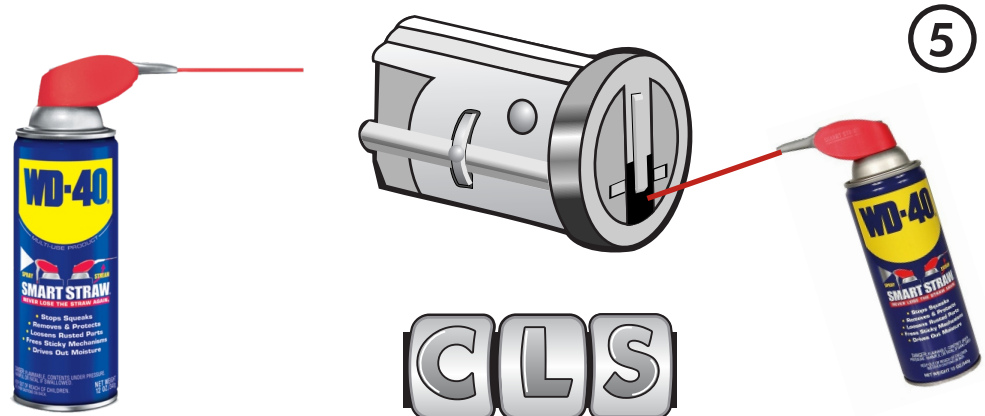
3



4

A. Turn the key to either 1 O'clock or 11 O'clock position.
B. Then push the plug into position
C. Turn the key back to the 12 O'clock position and remove the key.

Lubricate with WD-40 after installation



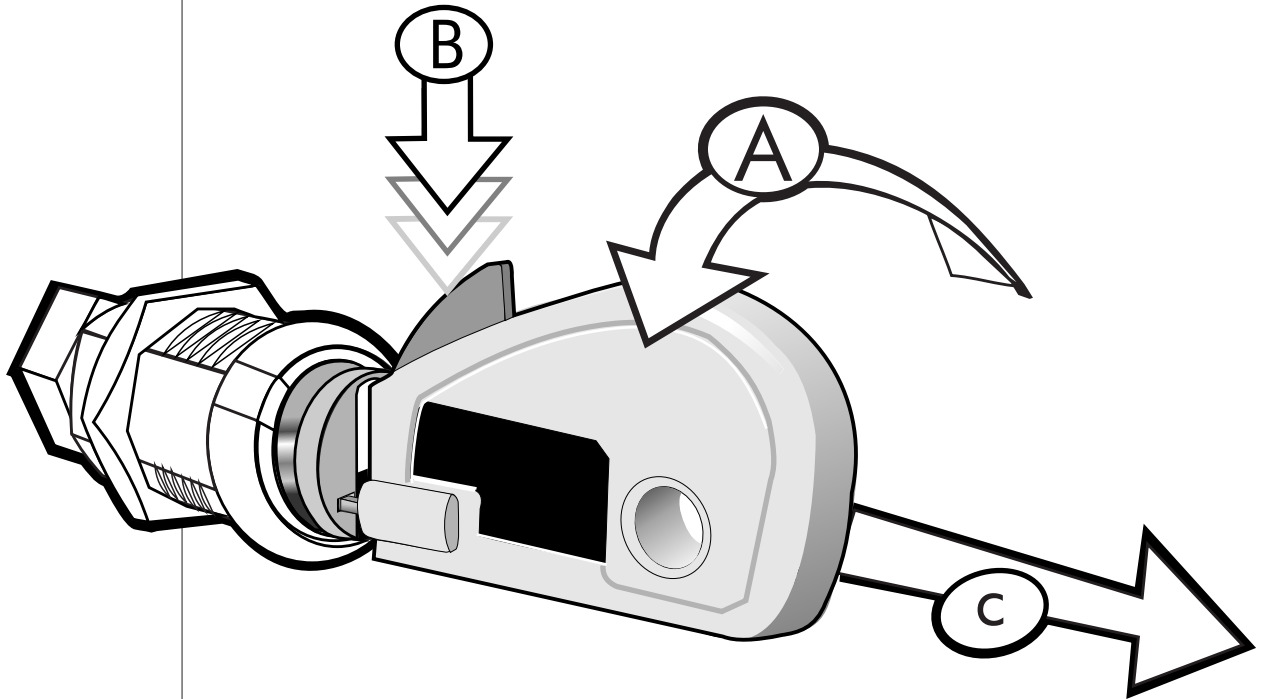
5



CASINO LOCKING SYSTEMS

Bi-Lock Instructions

How to Pull the *Exclusive* Plug



- A. Turn the key to either 1 O'clock or 11 O'clock position.
- B. Push the metal trigger into the key-head.
- C. Then pull the key including the plug



CASINO LOCKING SYSTEMS

Reinier Rondhorstdijk 32 - 3059 SM Rotterdam - The Netherlands - Tel.: 31(0)10 - 228 16 51

E-mail: info@casinolock.com - Internet: www.casinolock.com