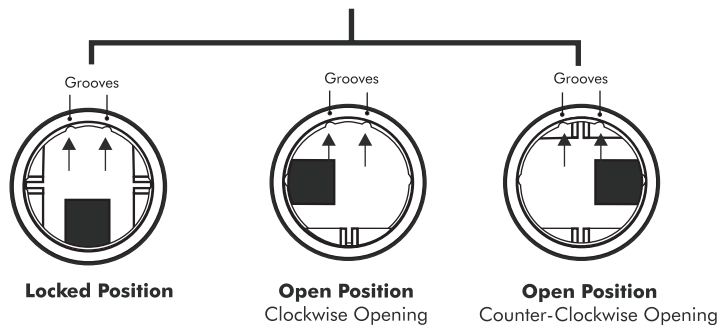
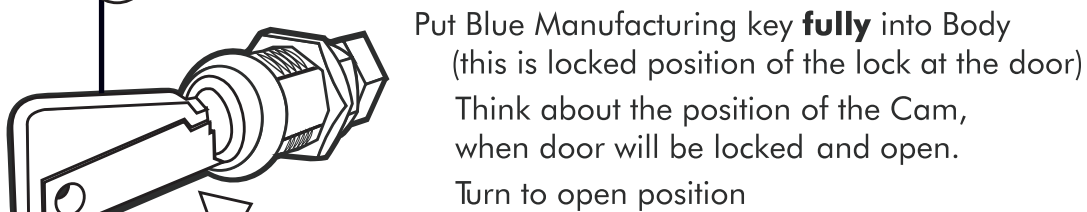
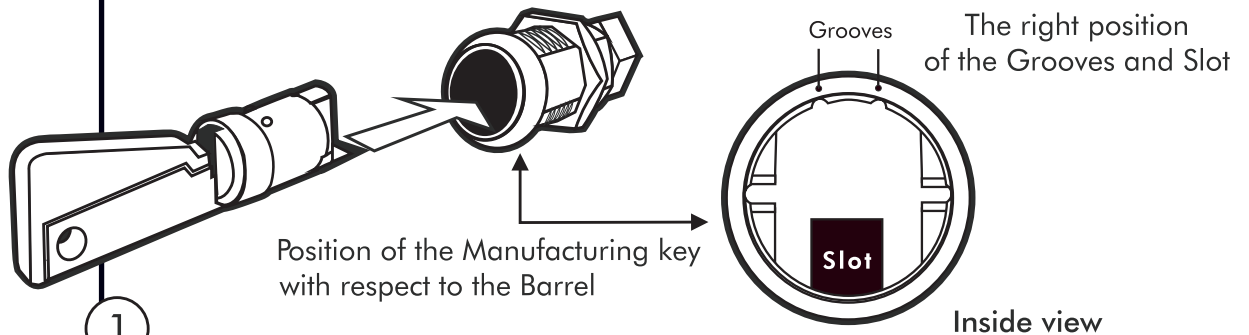
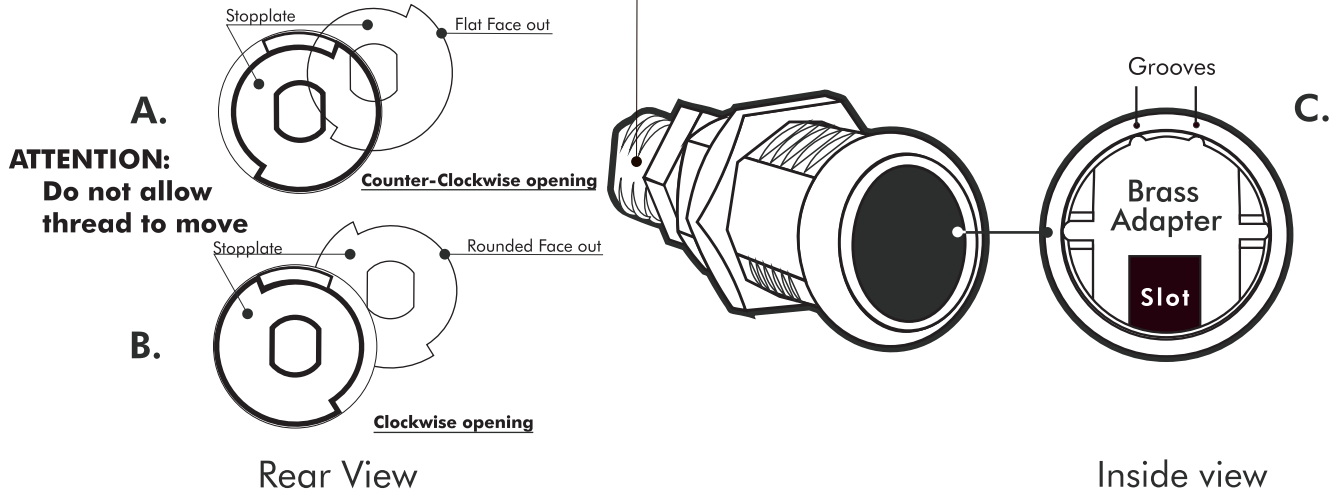


# Assembly of Bi-Lock's QCC - Camlock

## IMPORTANT!

Keep the Brass Adapter in the right position (as shown in drawing **C**), before inserting the manufacturing key.  
Pay attention to the right position of the grooves and the slot. (inside view)  
Put stopplate on thread. **A.** counter-clockwise or **B.** clockwise position. (rear view)  
Put the nut on the thread



**CASINO LOCKING SYSTEMS**

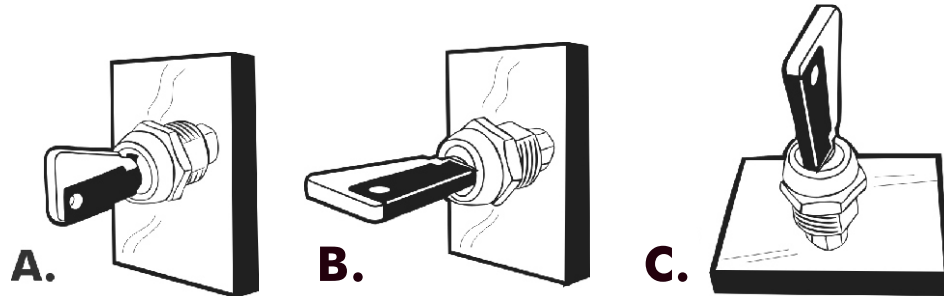
# Installation of Bi-Lock's QCC - Lock

**2.1**

1. Always use **CLOCKWISE** opening when possible
2. Always use **90°** stopplate when possible.

**2.2**

## Position of the cam lock



**A :** Teeth of the key are pointing up.

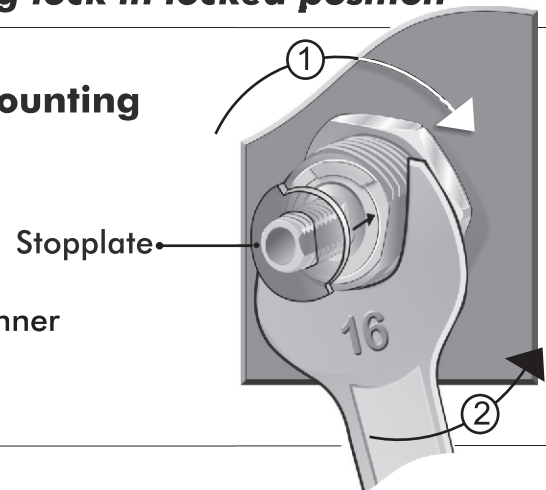
**B+C :** Teeth of the key, are pointing away from the user.

**Drawings are showing lock in locked position**

**2.3**

## Adjust Lock Body after mounting

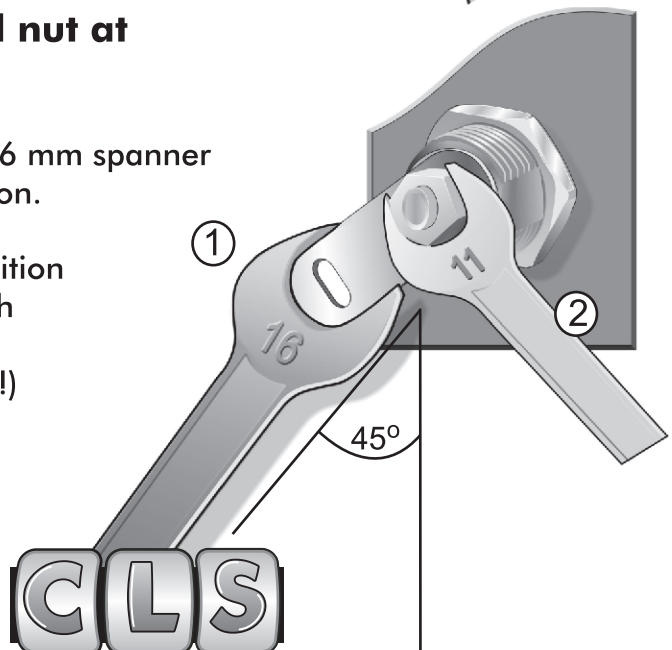
- ① Tie the big nut
- ② Adjust lock body straight in position with 16 mm spanner



**2.4**

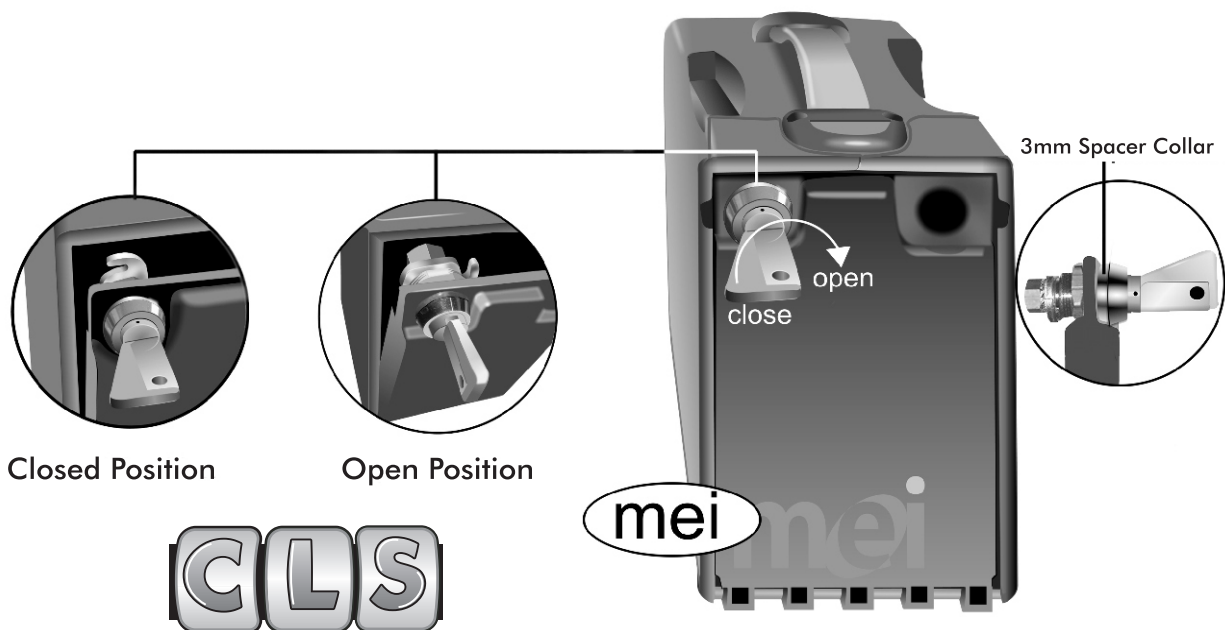
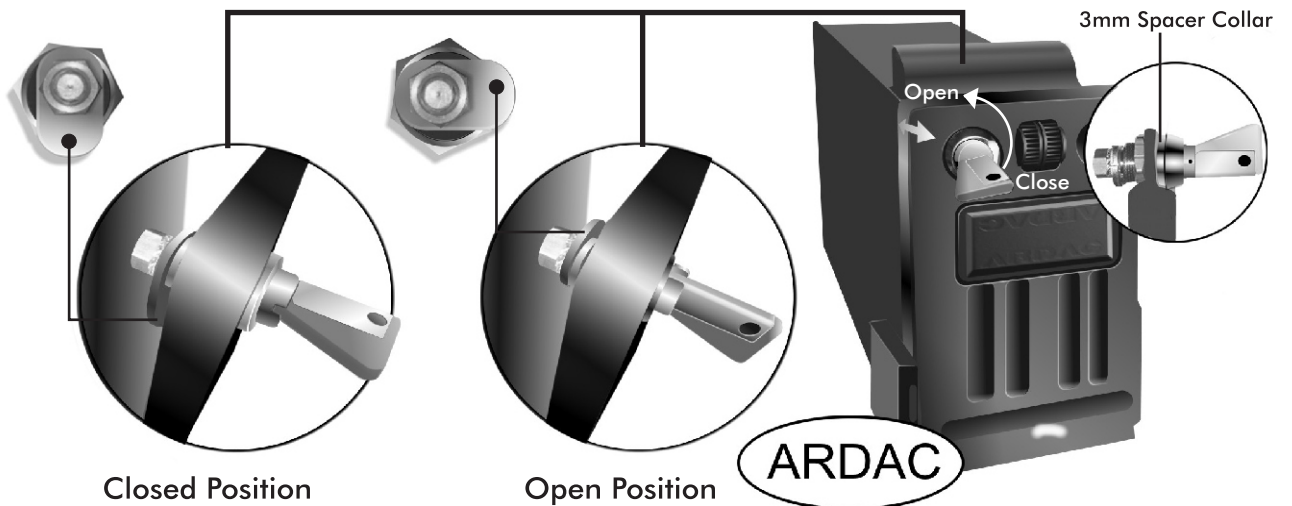
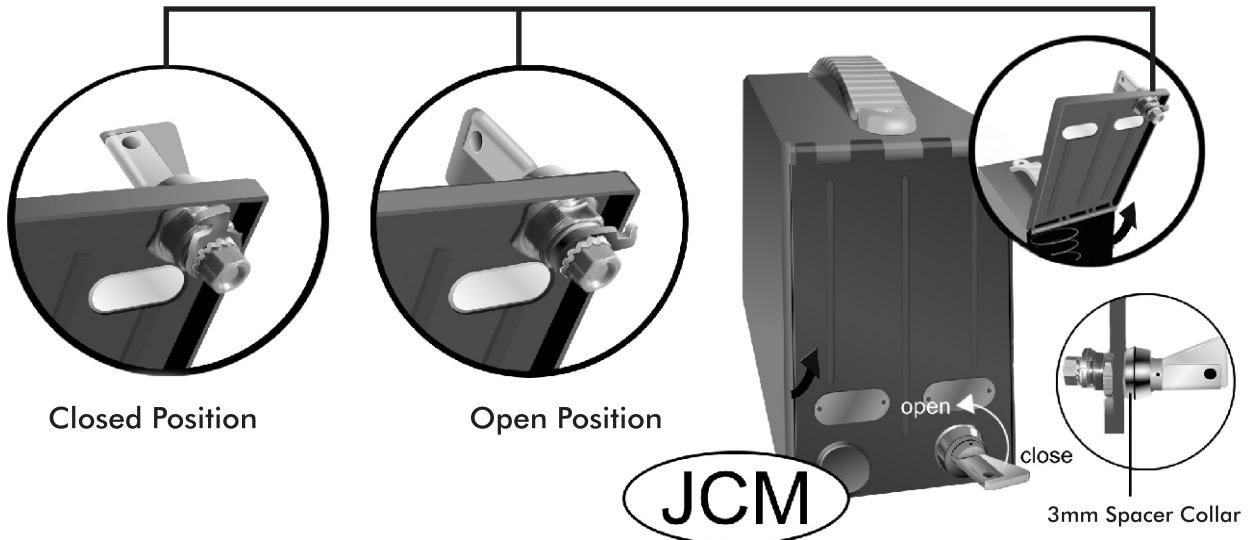
## How to tie the small nut at the tail of the lock

- ① Keep the cam with 16 mm spanner or plier in 45° position.
- ② Keep cam in this position and tie small nut with 11 mm spanner. (cam in free position!)



**CASINO LOCKING SYSTEMS**

# Installation of Bi-Lock's QCC Camlock at Stackerbox/Billbox



**CLS**  
**CASINO LOCKING SYSTEMS**