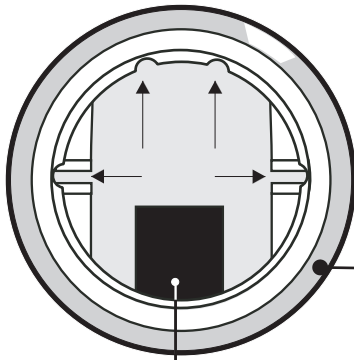
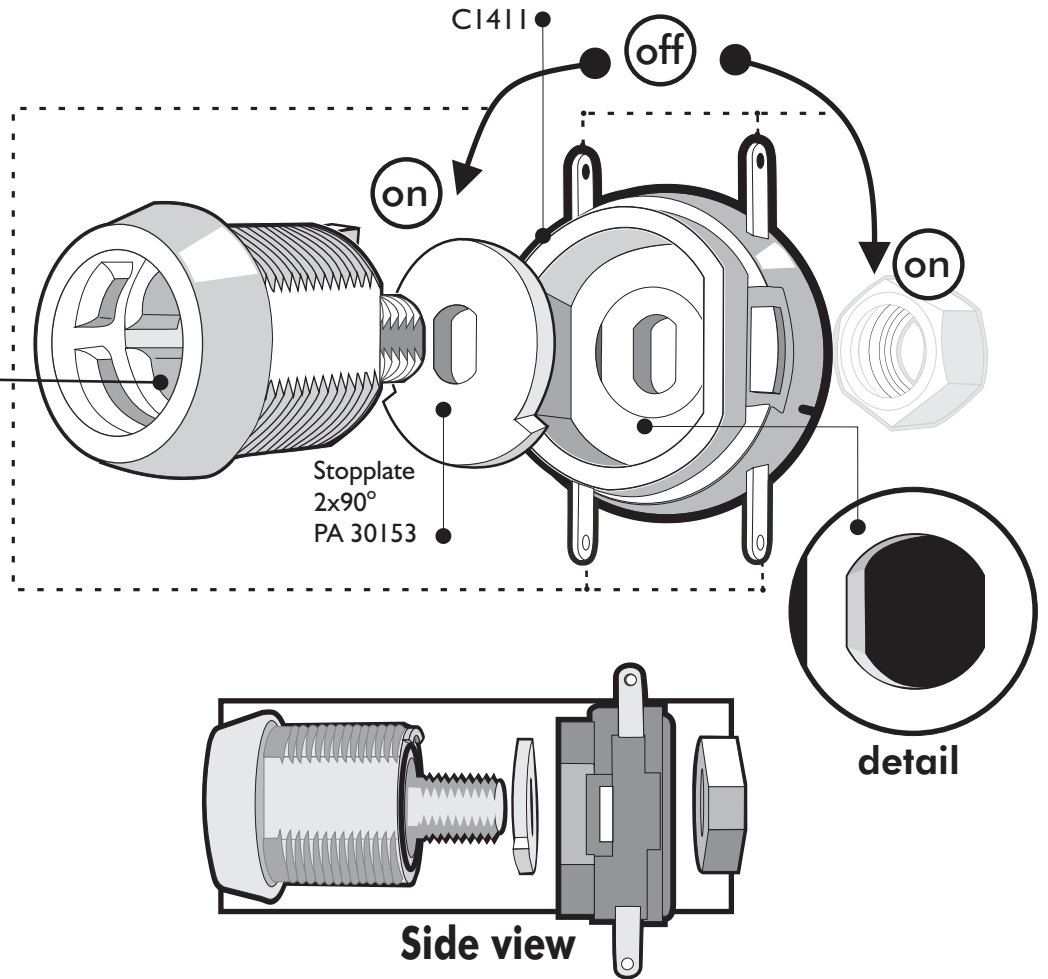


# Assembly of plastic switch at Bi-Lock camlock C1411

The right position of the grooves and brass adapter

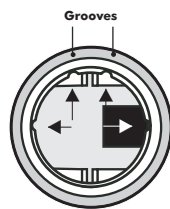


Inside view

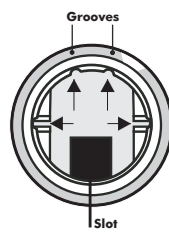


Side view

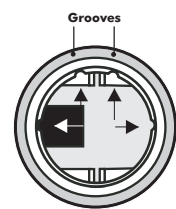
Put Manufacturing key **fully** into Body (this is the "switch-off" position)  
Turn key 90 degrees to the right or left  
(this is both the "switch-on" position - key is retained in the lock!).



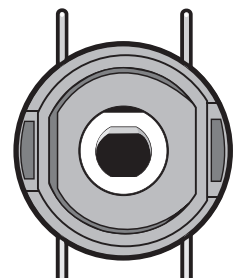
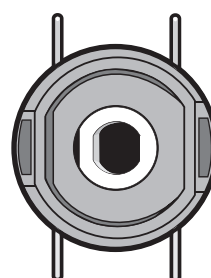
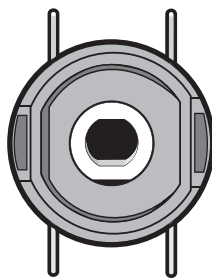
switch-on position



switch-off position



switch-on position

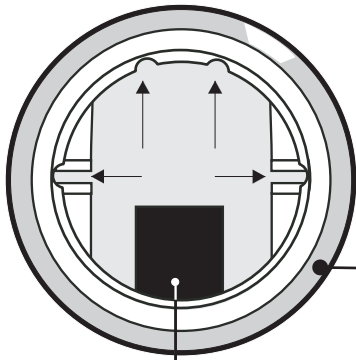


**CASINO LOCKING SYSTEMS**

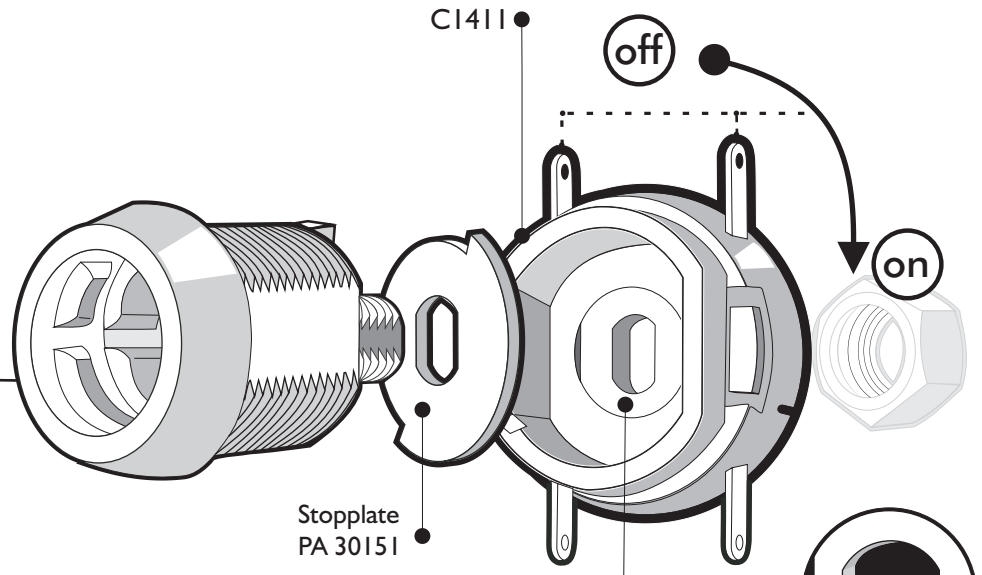
Reinier Rondhorstdijk 32  
3059 SM Rotterdam  
The Netherlands.  
Tel.: 31(0)10 - 228 16 51  
email: [info@casinolock.com](mailto:info@casinolock.com)  
Internet: [www.casinolock.com](http://www.casinolock.com)

# Assembly of plastic switch at Bi-Lock camlock C1411

The right position of the grooves and brass adapter

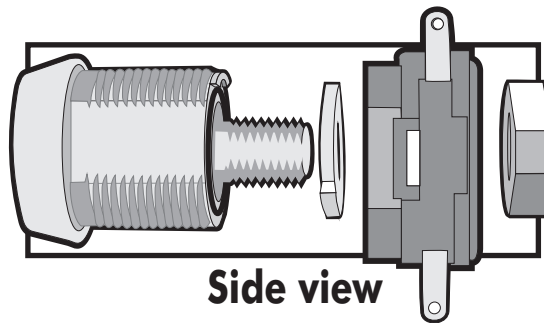


**Inside view**



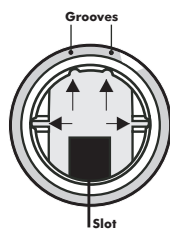
Stopplate PA 30151

detail

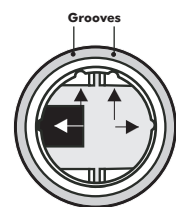


**Side view**

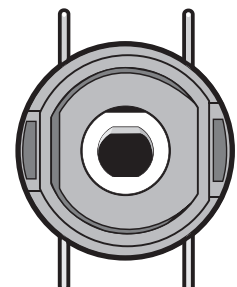
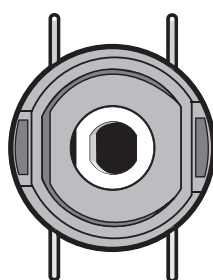
Put Manufacturing key **fully** into Body (this is the "switch-off" position)  
Turn key 90 degrees to the right  
(this is the "switch-on" position - key is retained in the lock!).



switch-off position



switch-on position



**CASINO LOCKING SYSTEMS**

Reinier Rondhorstdijk 32  
3059 SM Rotterdam  
The Netherlands.  
Tel.: 31(0)10 - 228 16 51  
email: [info@casinolock.com](mailto:info@casinolock.com)  
Internet: [www.casinolock.com](http://www.casinolock.com)