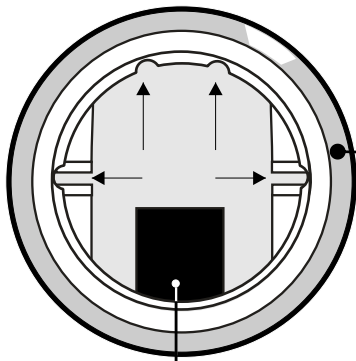
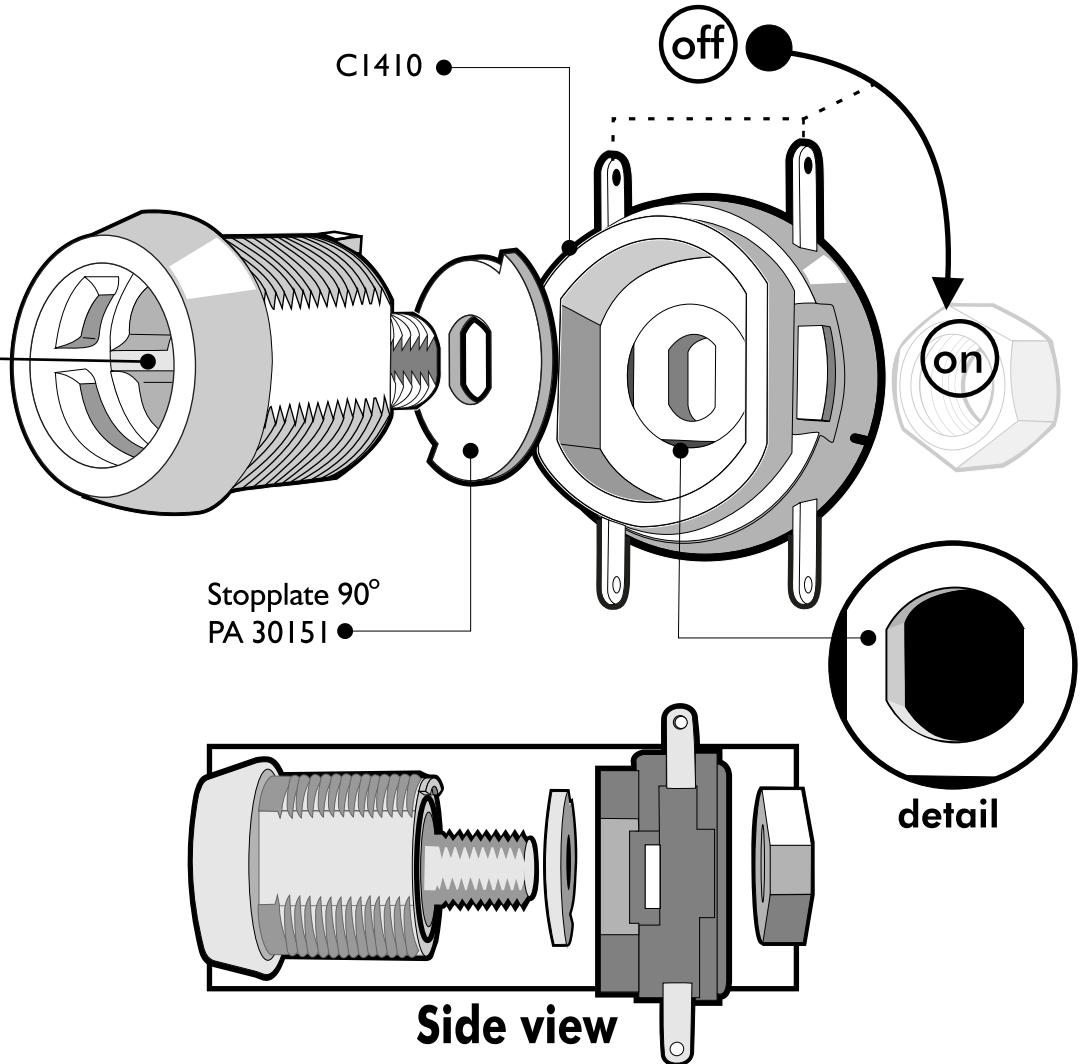


Assembly of switch-C1410 at Bi-Lock camlock

The right position
of the grooves and
brass adapter



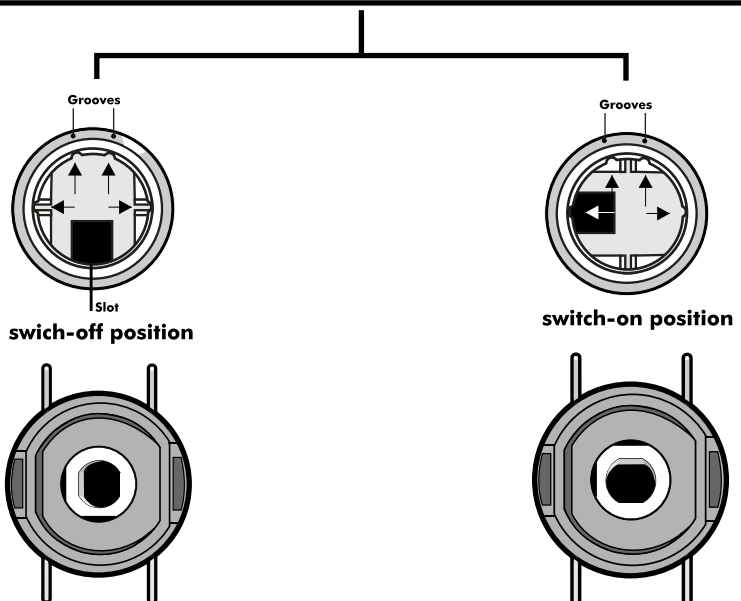
Inside view



Stopplate 90°
PA 30151

Side view

Put Manufacturing key **fully** into Body (this is the "switch-off" position)
Turn key 90 degrees to the right
(this is "switch-on" position - key is retained in the lock).

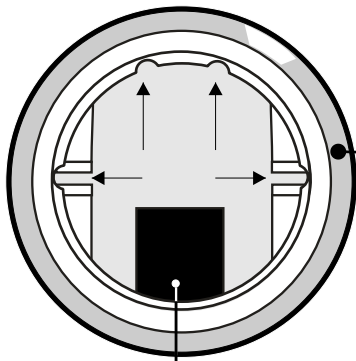


CASINO LOCKING SYSTEMS

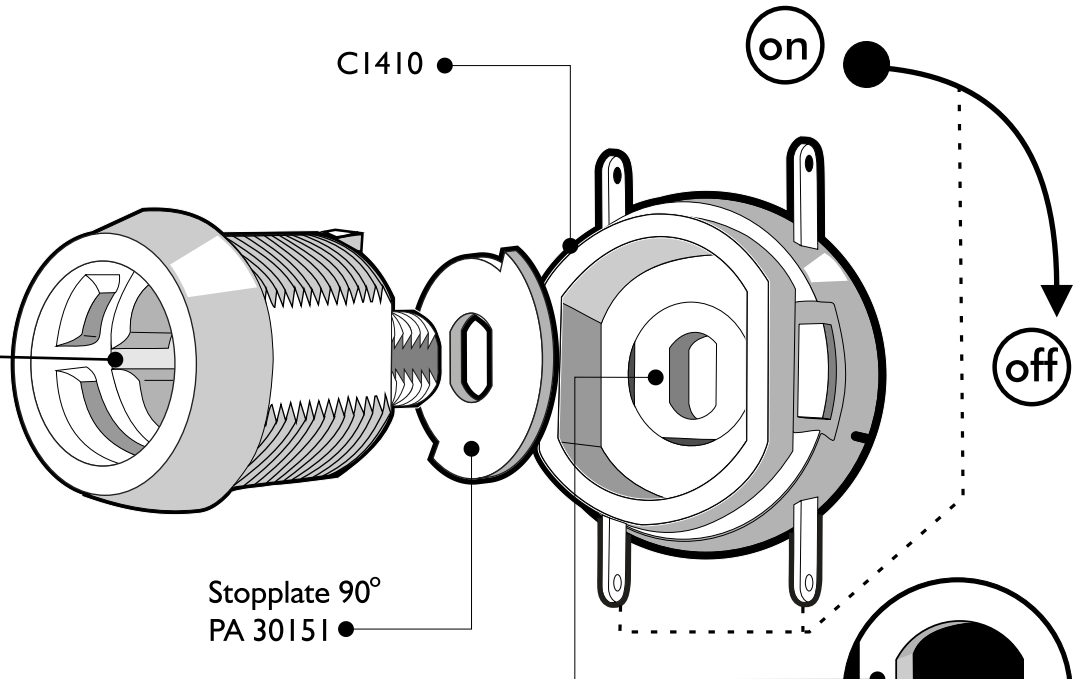
Reinier Rondhorstdijk 32
3059 SM Rotterdam
The Netherlands.
Tel.: 31(0)10 - 228 16 51
email: info@casinolock.com
Internet: www.casinolock.com

Assembly of switch-C1410 at Bi-Lock camlock

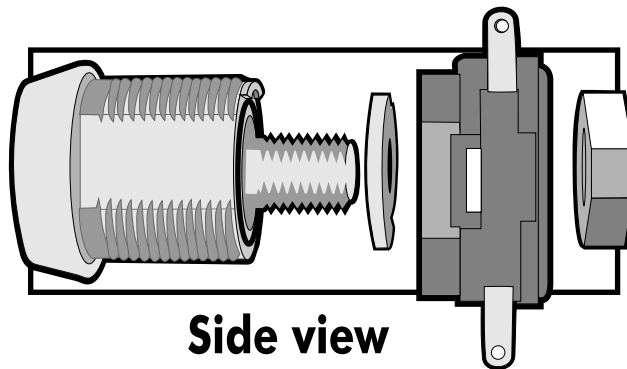
The right position
of the grooves and
brass adapter



Inside view

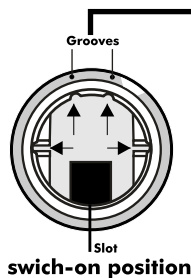


Stopplate 90°
PA 30151

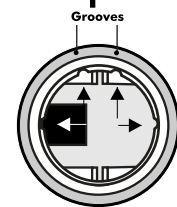


Side view

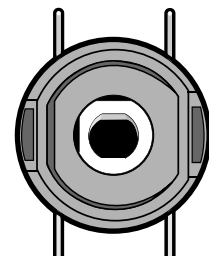
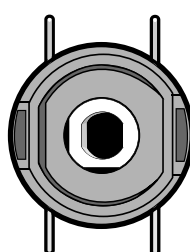
Put Manufacturing key **fully** into Body (this is the "switch-on" position)
Turn key 90 degrees to the right
(this is "switch-off" position - key is retained in the lock).



switch-on position



switch-off position



CLS

CASINO LOCKING SYSTEMS

Reinier Rondhorstdijk 32
3059 SM Rotterdam
The Netherlands.
Tel.: 31(0)10 - 228 16 51
email: info@casinolock.com
Internet: www.casinolock.com