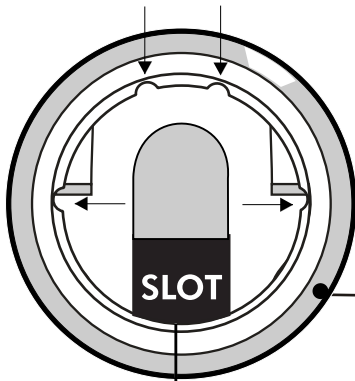
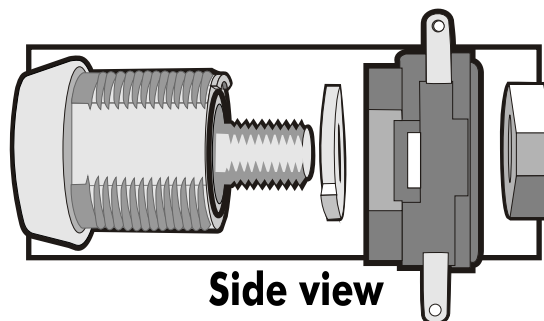
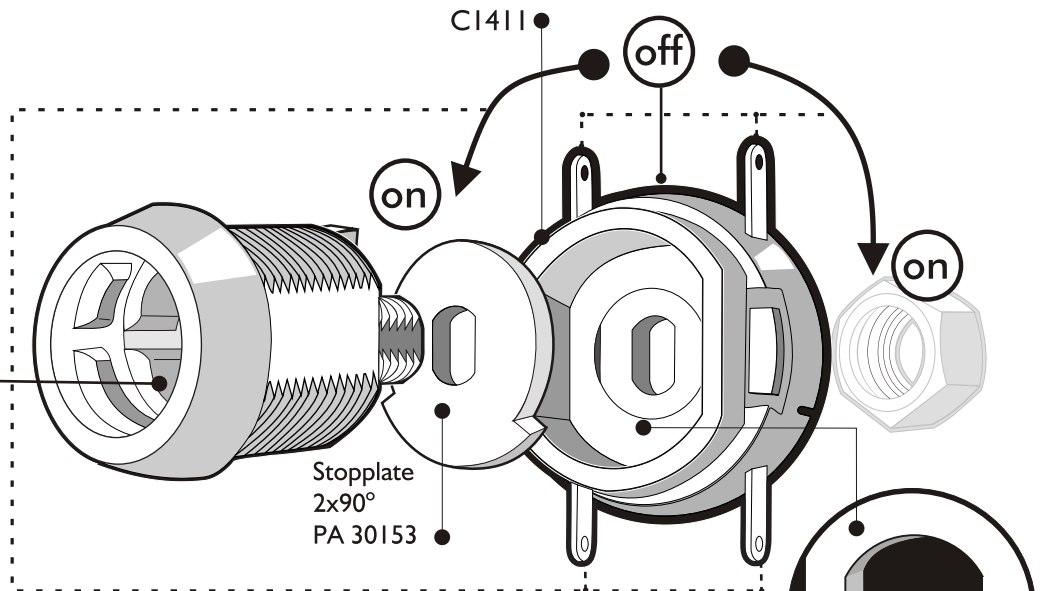


Assembly of plastic switch at Bi-Lock camlock C1411

The right position of the grooves and brass adapter

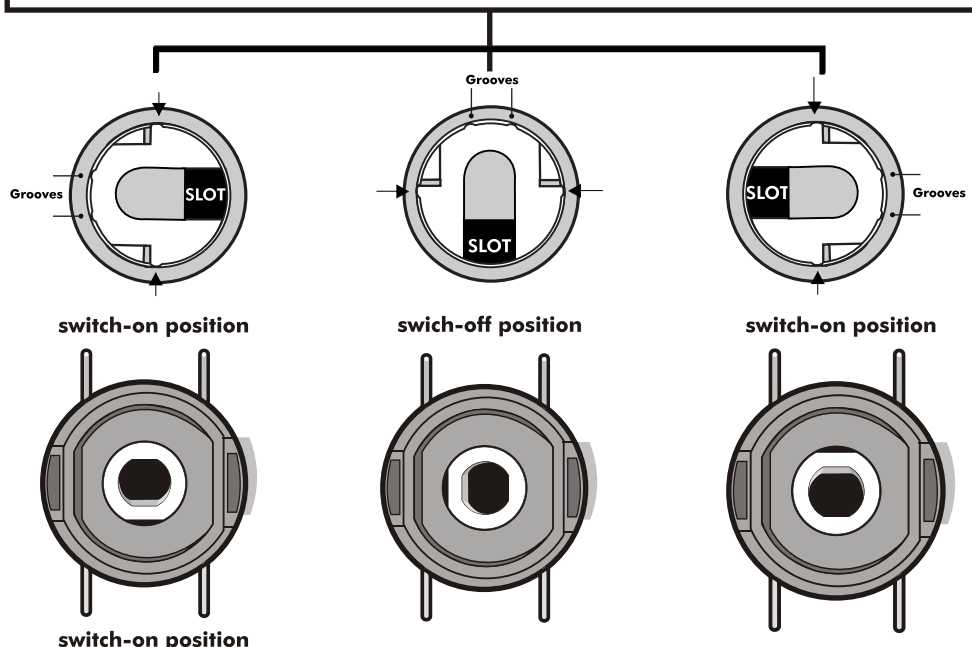


Inside view



Side view

Put Manufacturing key **fully** into Body (this is the "switch-off" position)
Turn key 90 degrees to the right or left
(this is both the "switch-on" position - key is retained in the lock!).

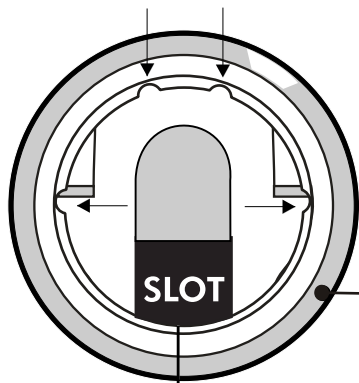


CASINO LOCKING SYSTEMS

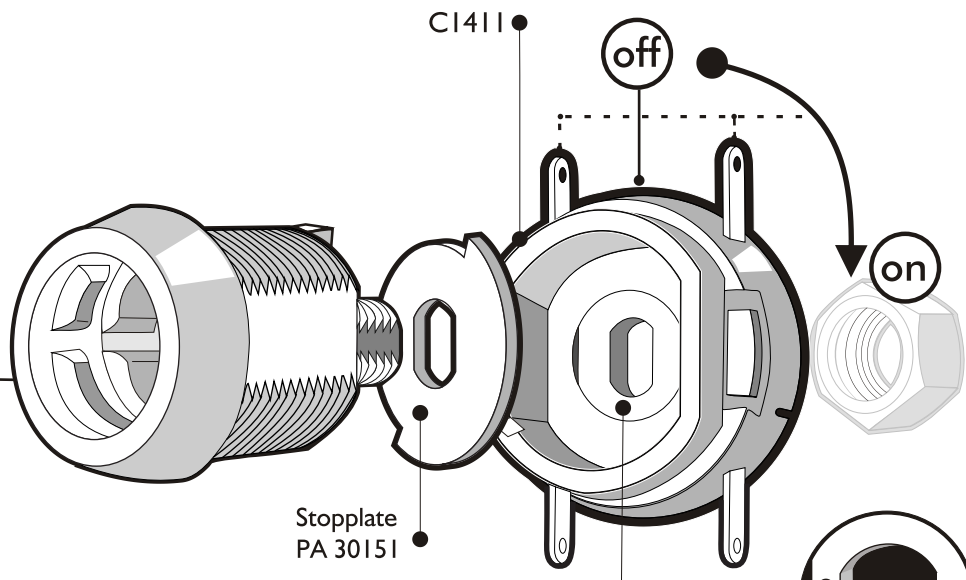
Reinier Rondhorstdijk 32
3059 SM Rotterdam
The Netherlands.
Tel.: 31(0)10 - 228 16 51
email: info@casinolock.com
Internet: www.casinolock.com

Assembly of plastic switch at Bi-Lock camlock C1411

The right position of the grooves and brass adapter

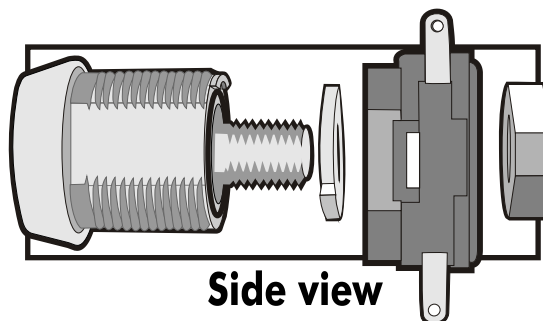


Inside view



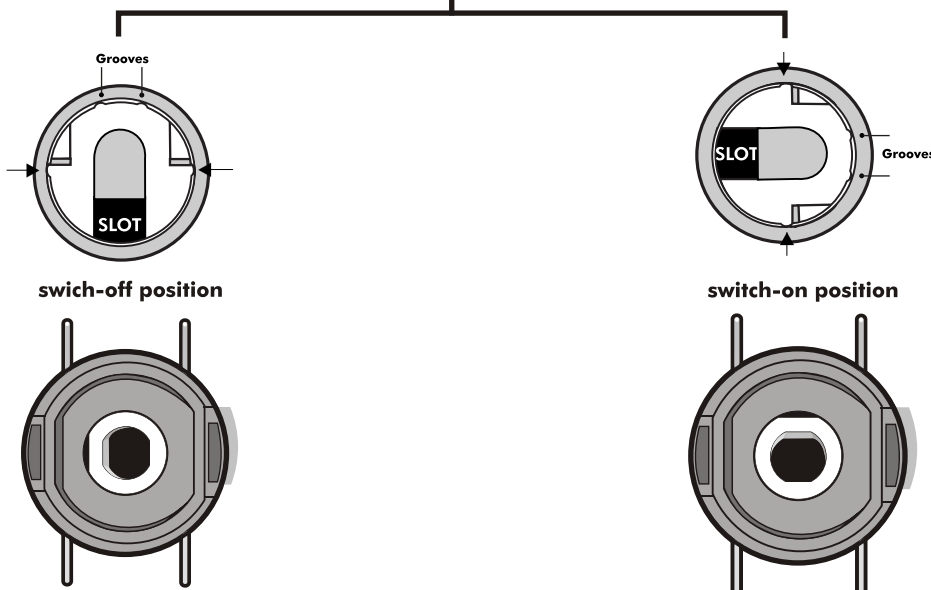
Stopplate PA 30151

detail



Side view

Put Manufacturing key **fully** into Body (this is the "switch-off" position)
Turn key 90 degrees to the right
(this is the "switch-on" position - key is retained in the lock!).



CASINO LOCKING SYSTEMS

Reinier Rondhorstdijk 32
3059 SM Rotterdam
The Netherlands.
Tel.: 31(0)10 - 228 16 51
email: info@casinolock.com
Internet: www.casinolock.com