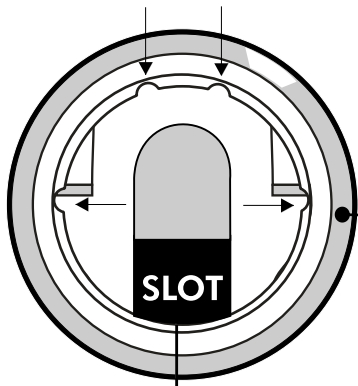
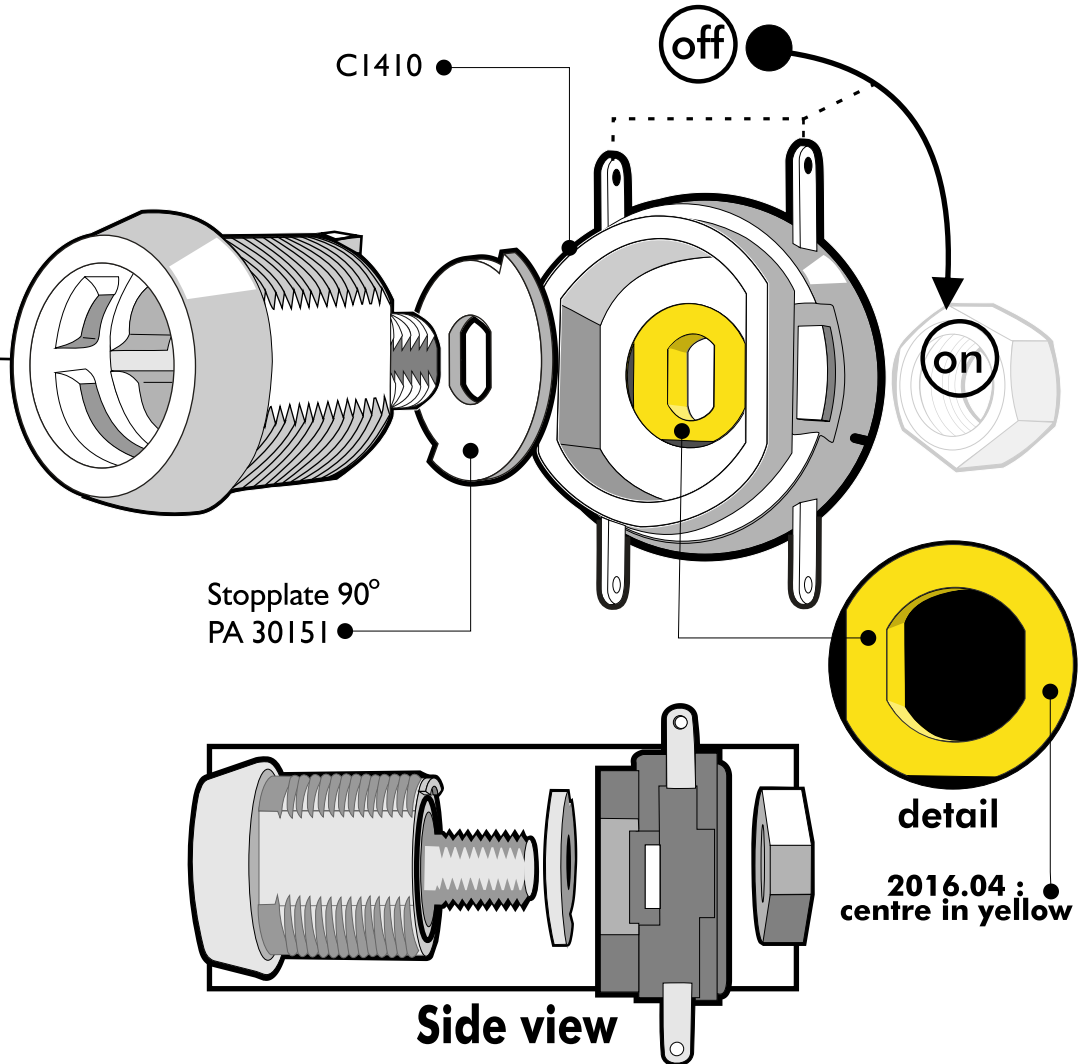


Assembly of switch-C1410 at Bi-Lock camlock

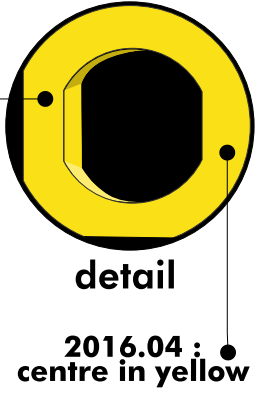
The right position of the grooves and brass adapter



Inside view



Stopplate 90° PA 30151

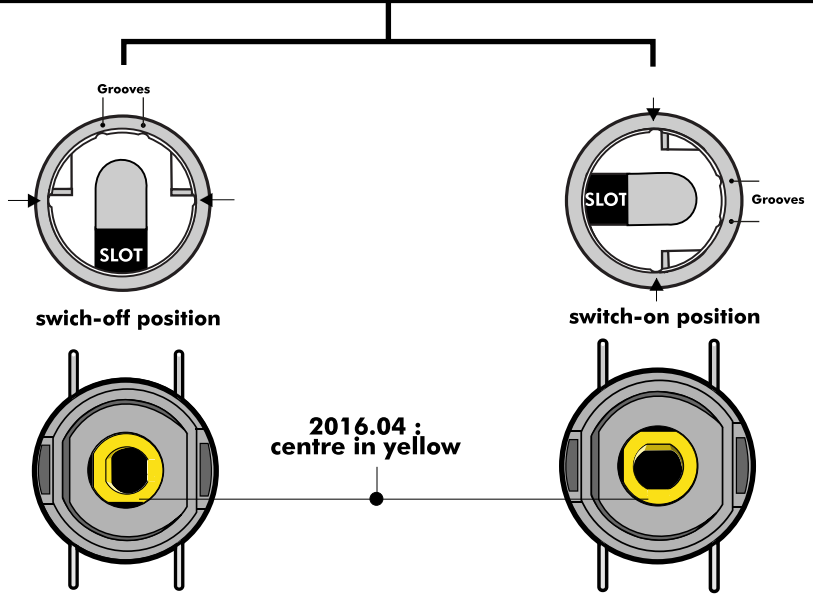


detail

2016.04 : centre in yellow

Side view

Put Manufacturing key **fully** into Body (this is the "switch-off" position)
Turn key 90 degrees to the right (this is "switch-on" position - key is retained in the lock).

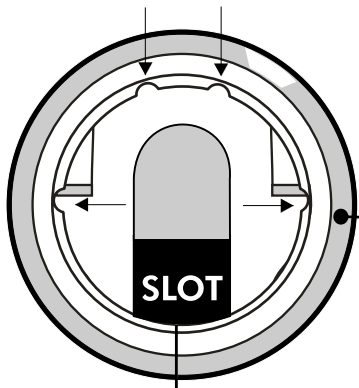


CASINO LOCKING SYSTEMS

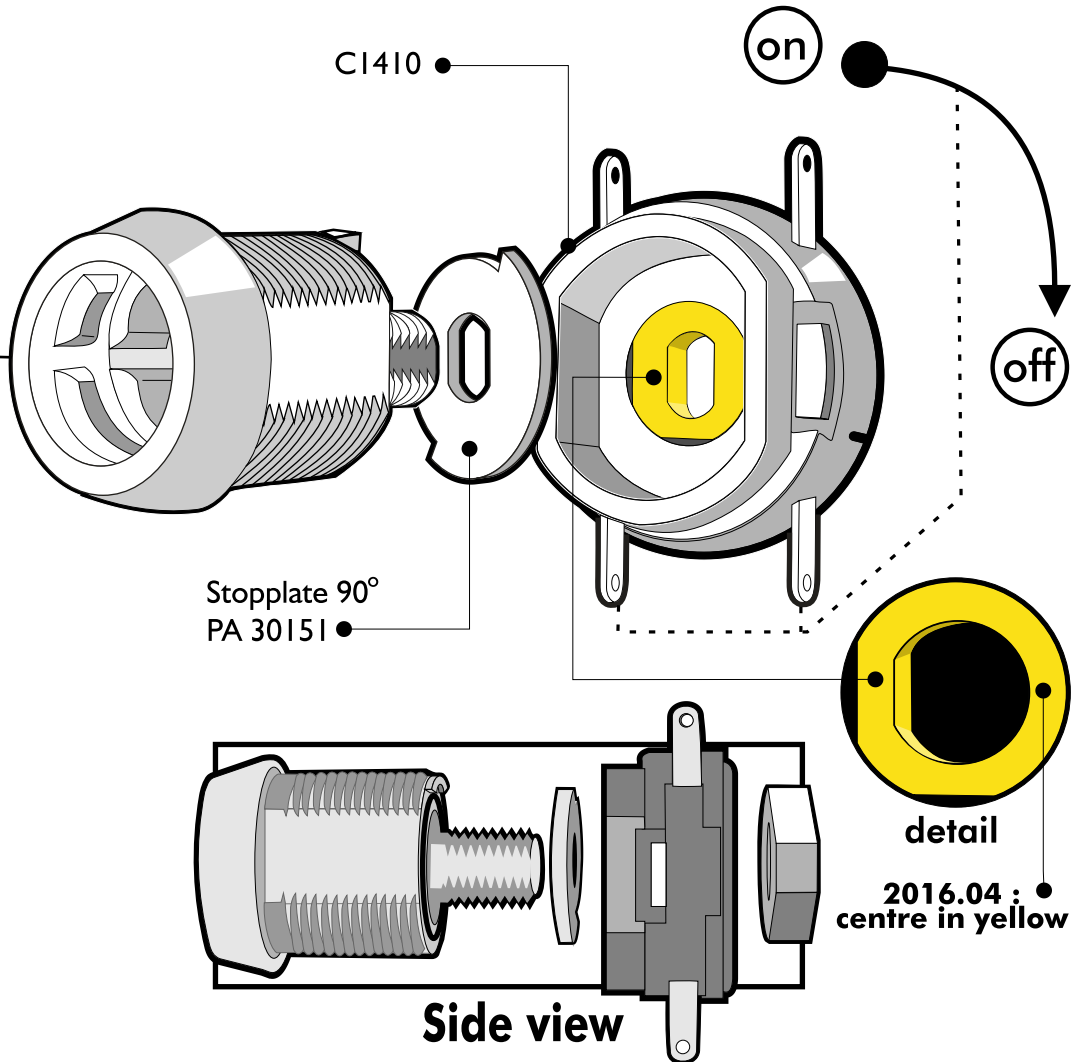
Reinier Rondhorstdijk 32
3059 SM Rotterdam
The Netherlands.
Tel.: 31(0)10 - 228 16 51
email: info@casinolock.com
Internet: www.casinolock.com

Assembly of switch-C1410 at Bi-Lock camlock

The right position of the grooves and brass adapter

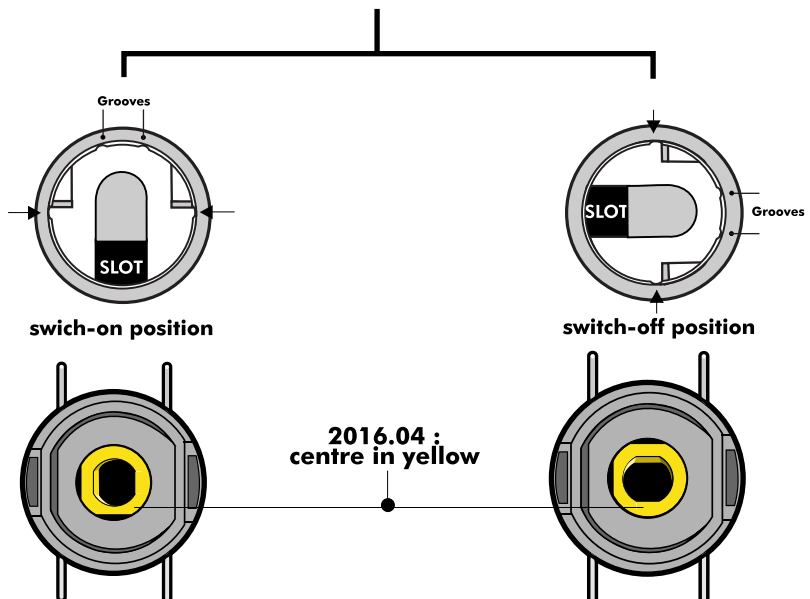


Inside view



Side view

Put Manufacturing key **fully** into Body (this is the "switch-on" position)
 Turn key 90 degrees to the right
 (this is "switch-off" position - key is retained in the lock).



CASINO LOCKING SYSTEMS

Reinier Rondhorstdijk 32
 3059 SM Rotterdam
 The Netherlands.
 Tel.: 31(0)10 - 228 16 51
 email: info@casinolock.com
 Internet: www.casinolock.com