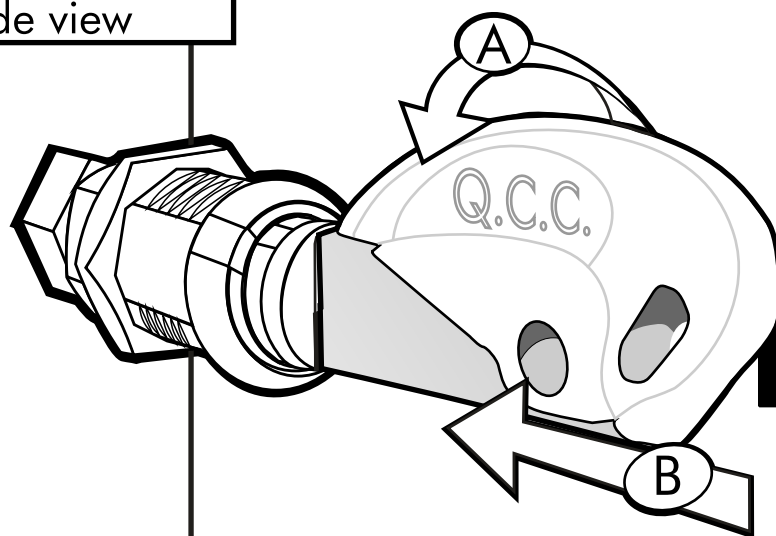
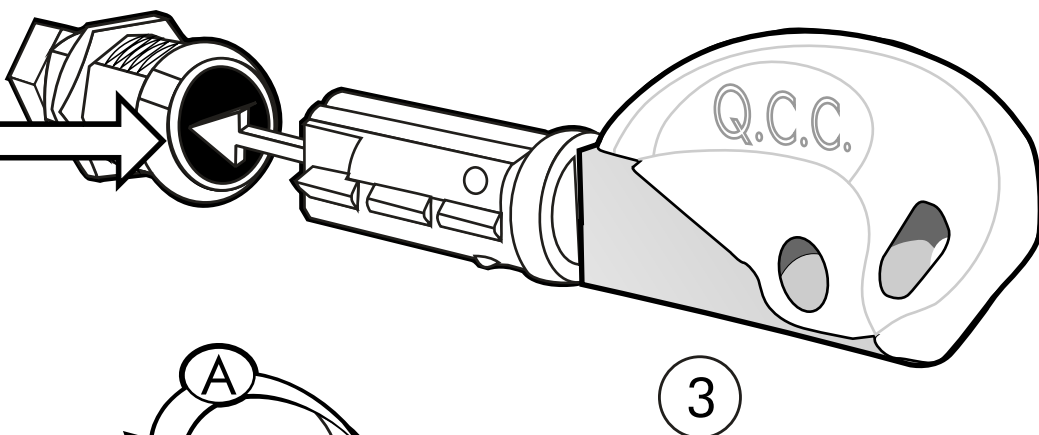
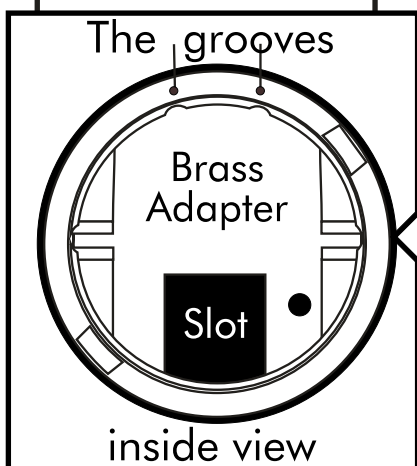
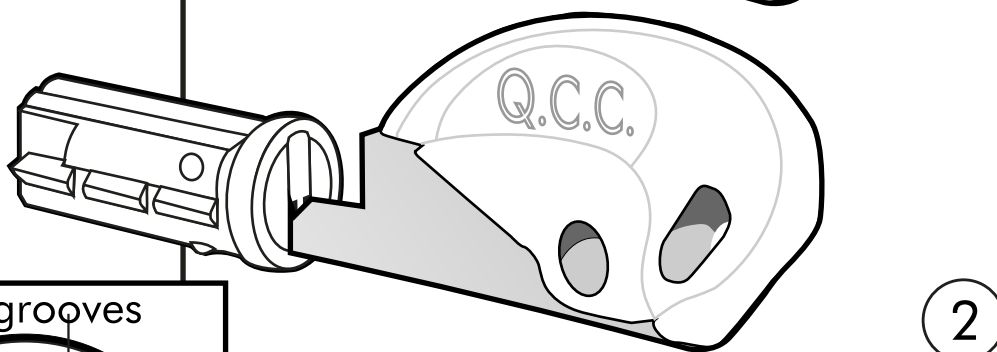
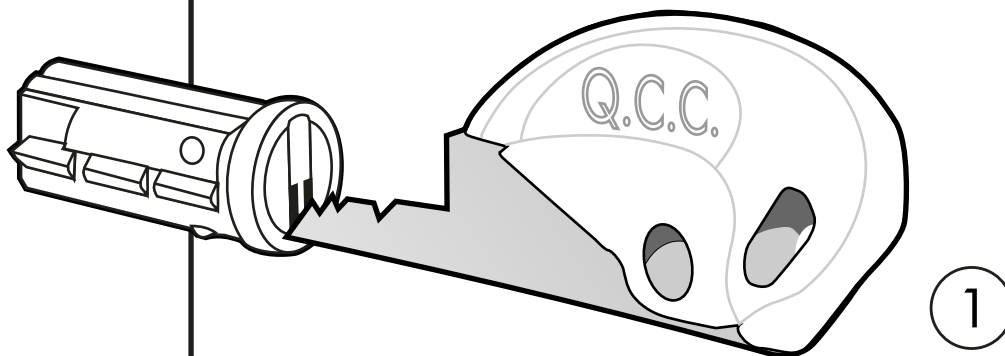


# Installation of Bi-Lock's QCC Plug

Always keep the plug, the adapter and the body  
in the right position!



A. Turn the key clockwise or  
counter-clockwise 15°  
B. Then push the plug into position

**CLS**

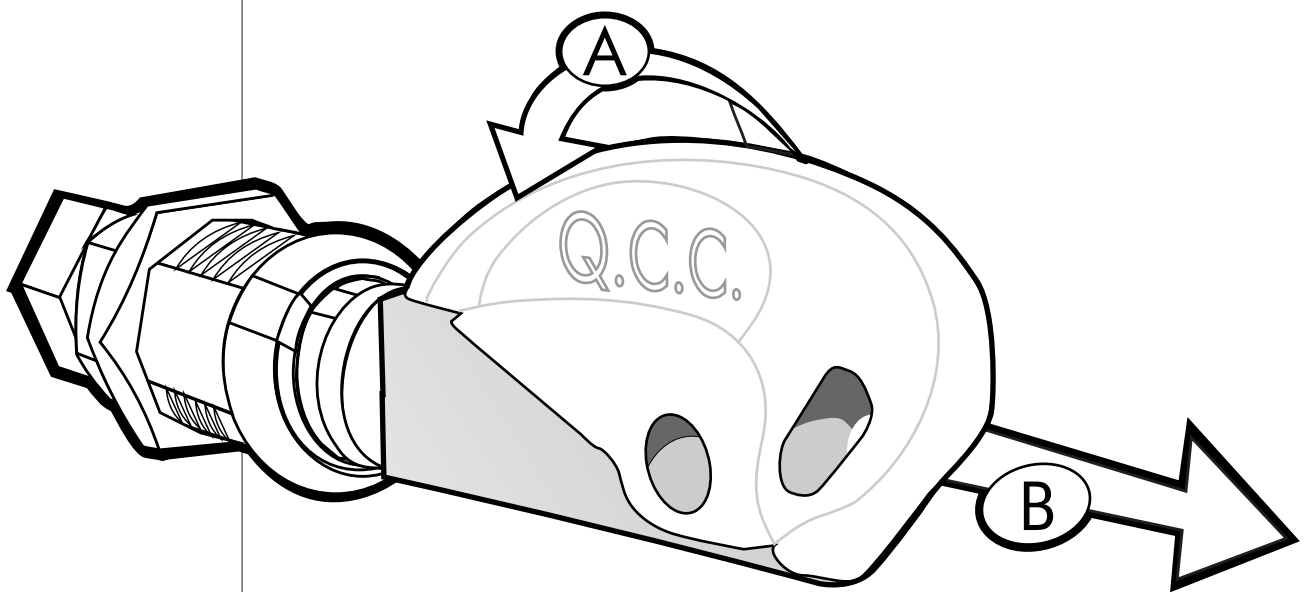
**CASINO LOCKING SYSTEMS**

Reinier Rondhorstdijk 32 - 3059 SM Rotterdam - The Netherlands - Tel.: 31(0)10 - 228 16 51

E-mail: [info@casinolock.com](mailto:info@casinolock.com) - Internet: [www.casinolock.com](http://www.casinolock.com)

# Bi-Lock Instructions

## How to Pull the Plug



- A. Turn the key clockwise or counter-clockwise  $15^{\circ}$
- B. Then pull the key including the plug

**CLS**

**CASINO LOCKING SYSTEMS**

Reinier Rondhorstdijk 32 - 3059 SM Rotterdam - The Netherlands - Tel.: 31(0)10 - 228 16 51

E-mail: [info@casinolock.com](mailto:info@casinolock.com) - Internet: [www.casinolock.com](http://www.casinolock.com)