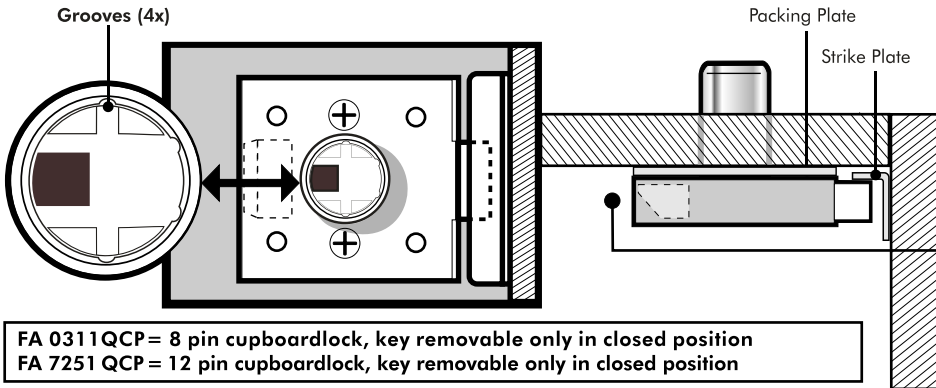


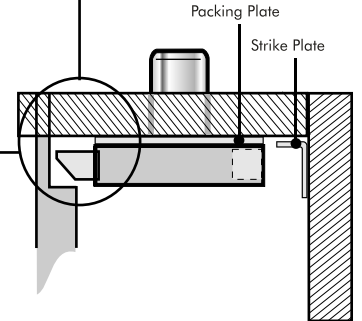
Bi-Lock Cupboardlock Assembly-Instructions

[All drawings are shown in **Closed Position**]

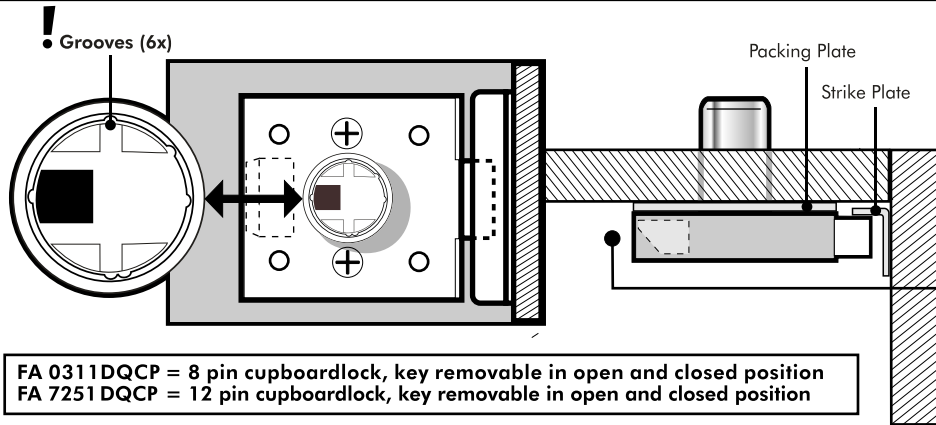
[**Open Position**]



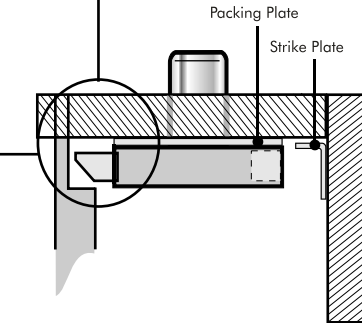
CUP1, **KEEP ROOM** for cam at bottom in the situation of the lock in **OPEN** position



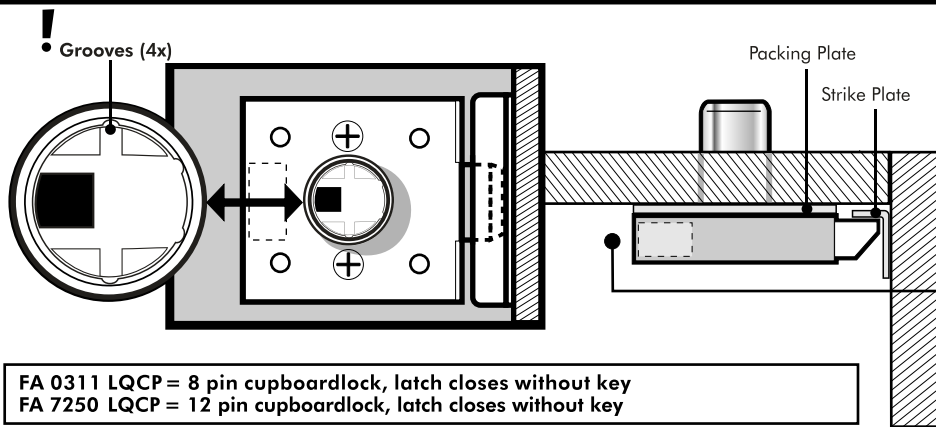
CUP 1 FA 0311 QCP = 8 pin cupboardlock, key removable only in closed position
FA 7251 QCP = 12 pin cupboardlock, key removable only in closed position



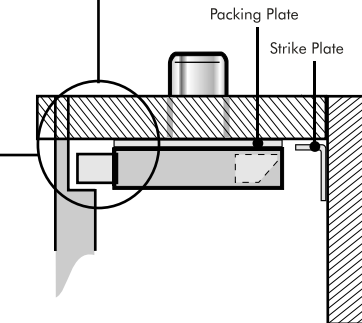
CUP2, **KEEP ROOM** for cam at bottom in the situation of the lock in **OPEN** position



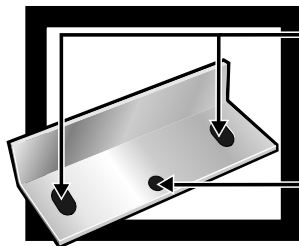
CUP 2 FA 0311 DQCP = 8 pin cupboardlock, key removable in open and closed position
FA 7251 DQCP = 12 pin cupboardlock, key removable in open and closed position



CUP L, **KEEP ROOM** for cam at bottom in the situation of the lock in **OPEN** position



CUP L FA 0311 LQCP = 8 pin cupboardlock, latch closes without key
FA 7250 LQCP = 12 pin cupboardlock, latch closes without key



Mount these first /
Adjust strike plate and tighten screws.

IMPORTANT!
mount this screw to fixate strikeplate



CASINO LOCKING SYSTEMS